

3D electronic catalog

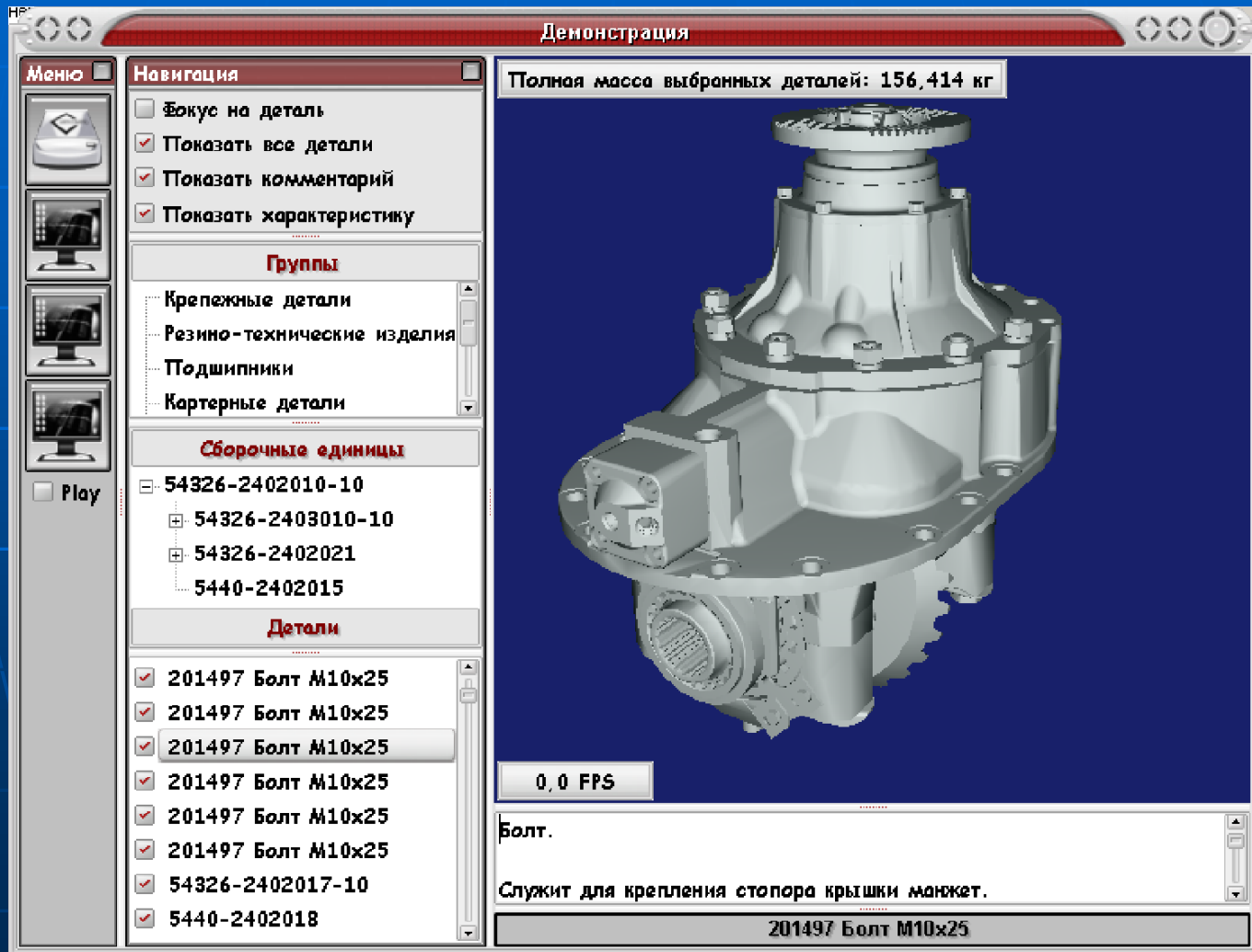
3D electronic catalog

- THIS is a powerful interactive visualization in a three-dimensional image of your product, which allows you to convey to the consumer and after-sales services the design features, assembly - disassembly, characteristics and appearance of each element with all design changes over time

Benefits

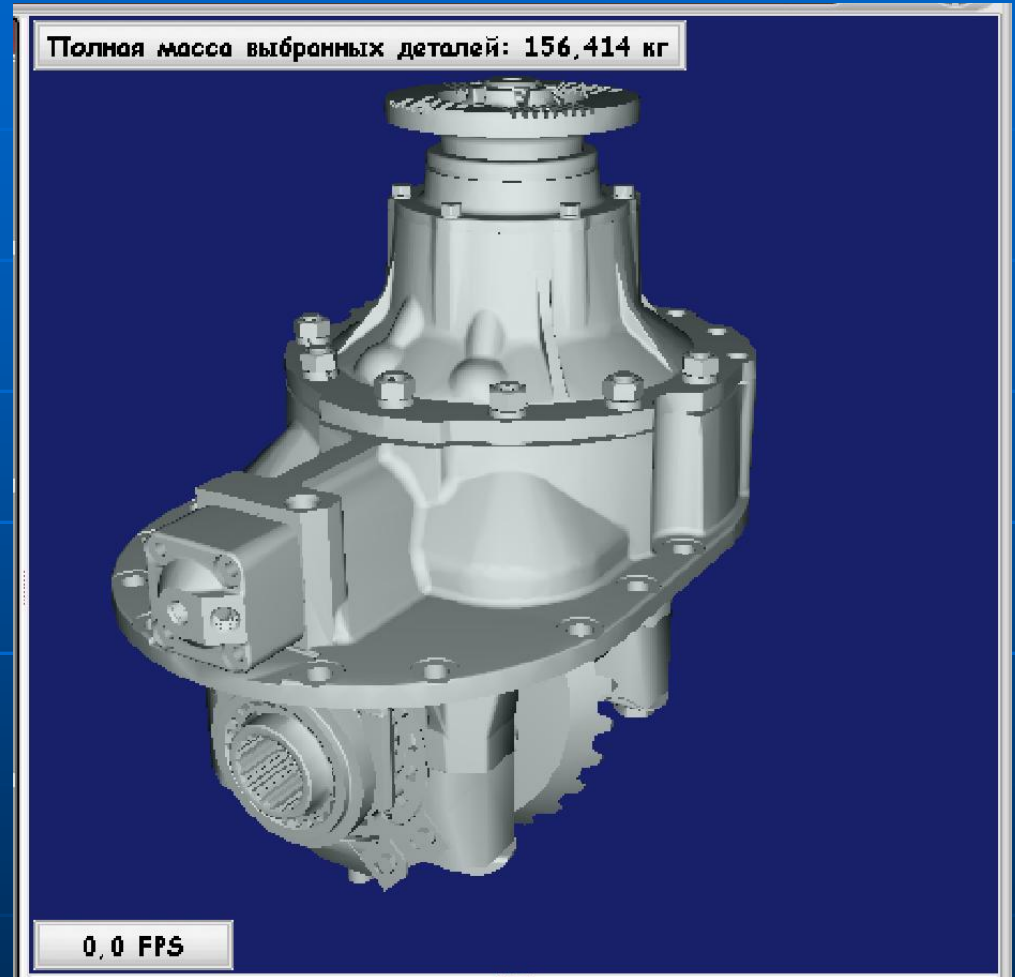
- 3D ELECTRONIC CATALOG program allows
- To study the design of various products
- Show assembly sequence - disassembly of nodes
- Correctly order the necessary parts, taking into account their three-dimensional appearance
- Reduce the number of errors in the service
- Provide training for service workers, consumers and new employees in the operation of the facility, its repair
- Track changes in design and part numbers over time
- Quickly find parts by their numbers
- Create classic paper catalogs
- Quickly find sets of similar parts (for example, rubber products, fasteners, bearings, crankcases, etc.)
- Do not get attached to bulky paper catalogs, be mobile

The main window of the program

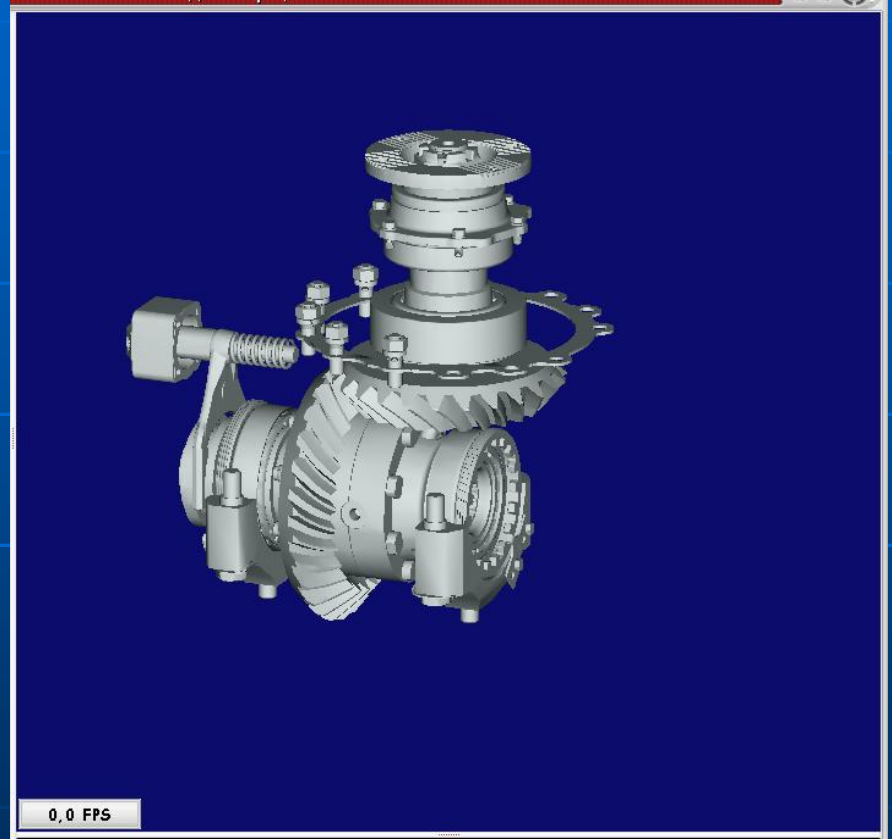
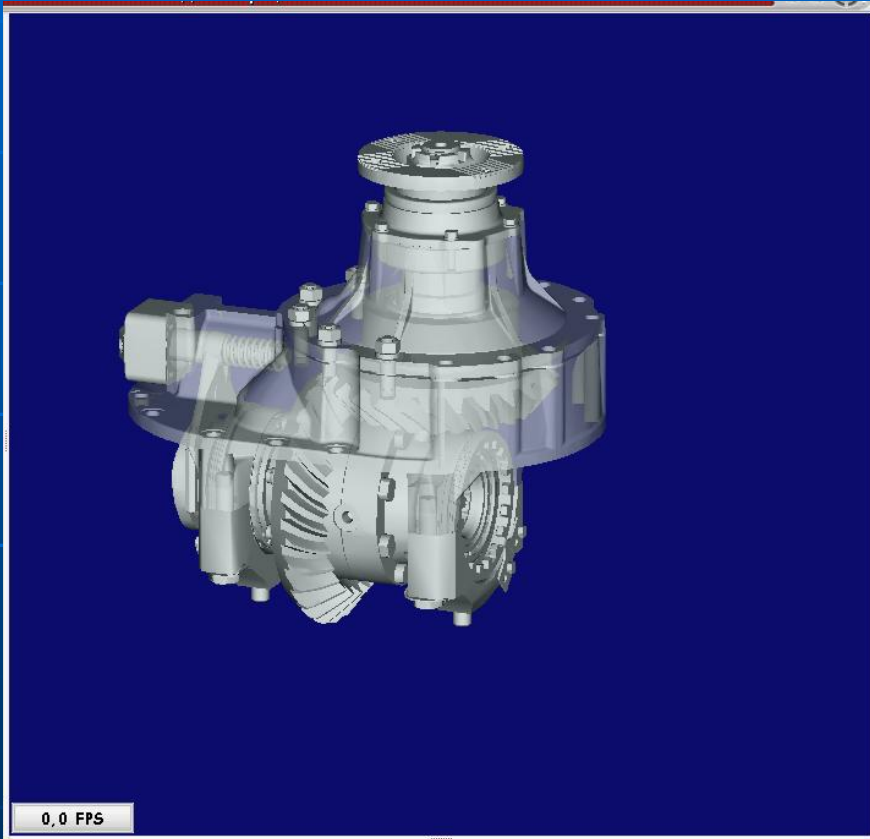


Program elements

The model window shows the assembly unit in a three-dimensional image in a transparent and opaque form (see the following slides for image options)

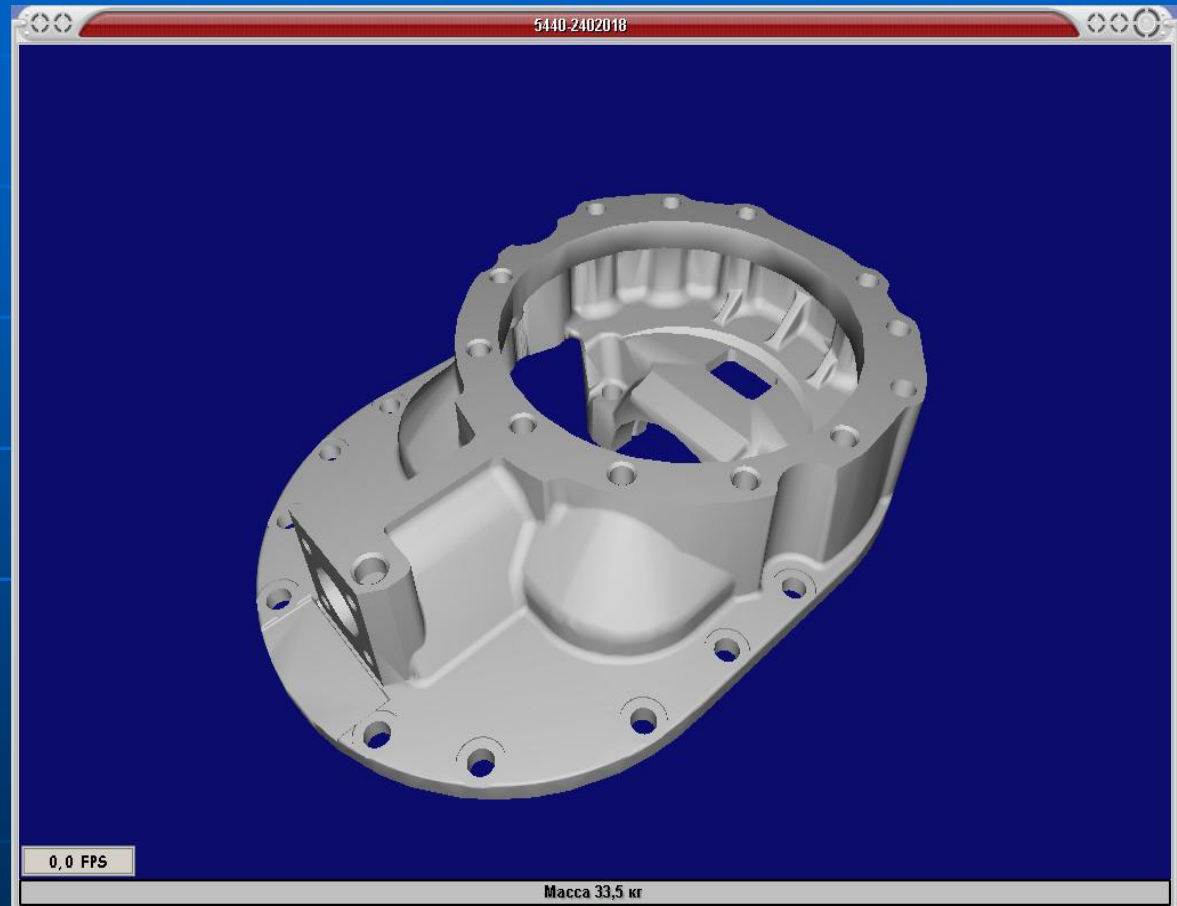


Allows you to make any parts of assembly units translucent or invisible



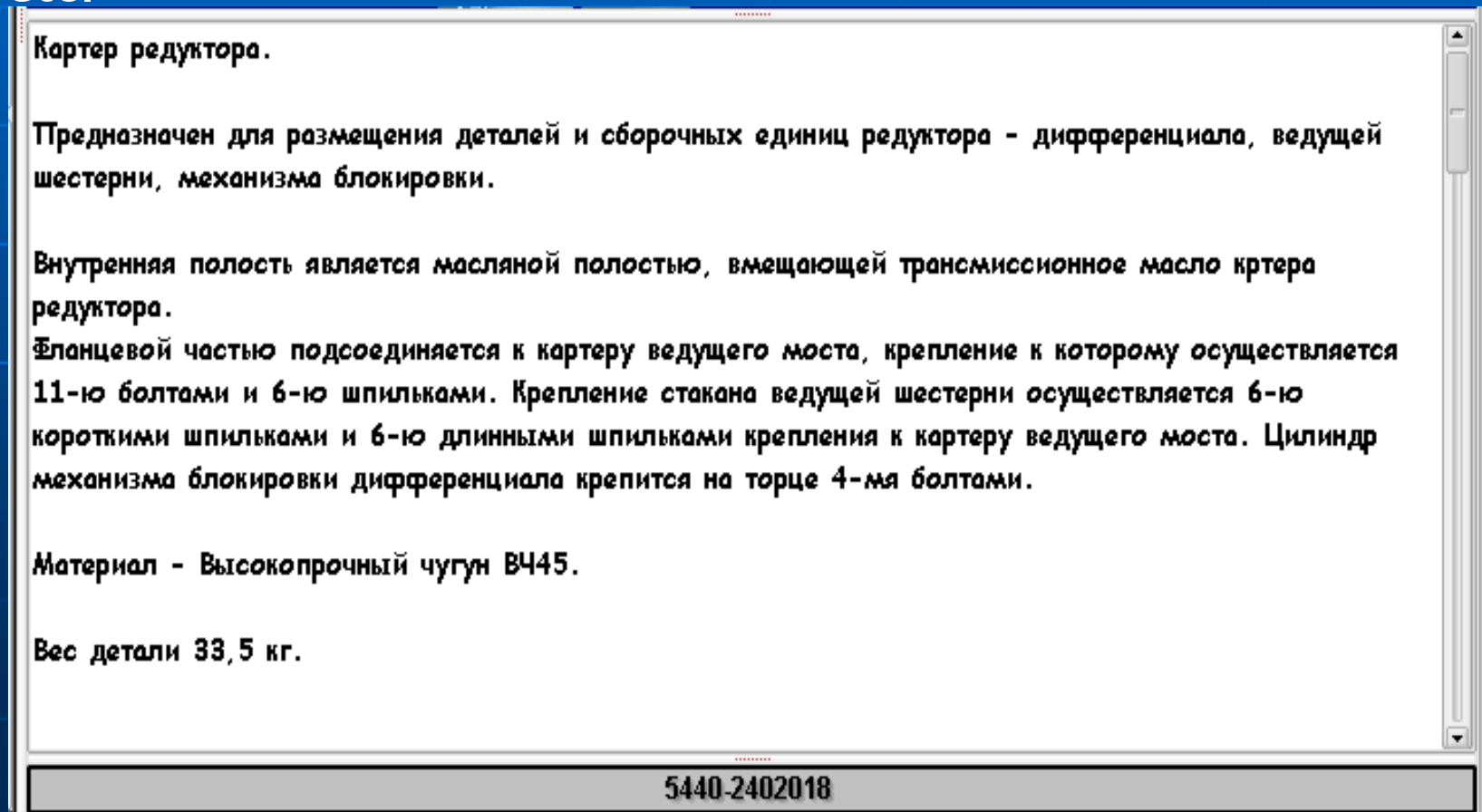
Three-dimensional part model window

Allows you to display a three-dimensional model of the selected part. The part can be rotated, deleted, zoomed. The part number is displayed at the top of the screen, and its mass at the bottom



Part Details Window

Allows you to display any information for the current part, the number of which is shown at the bottom of the window - purpose, design features, mounting method, material, weight, etc.



Navigation window

Allows you to control the properties and windows of the program

Focus on a part

- makes the selected part opaque, and all other parts translucent
- it is convenient to use to find the location of the desired part, show all details

- makes all parts of the assembly unit visible, show a comment
- shows a comment for the selected part, show the characteristic
- shows the total mass of the selected parts,

display part number

- on top of a three-dimensional image displays the part number.

Groups.

Allows you to select groups of parts, united by a certain attribute, for example, fasteners, crankcase, rubber products, etc.

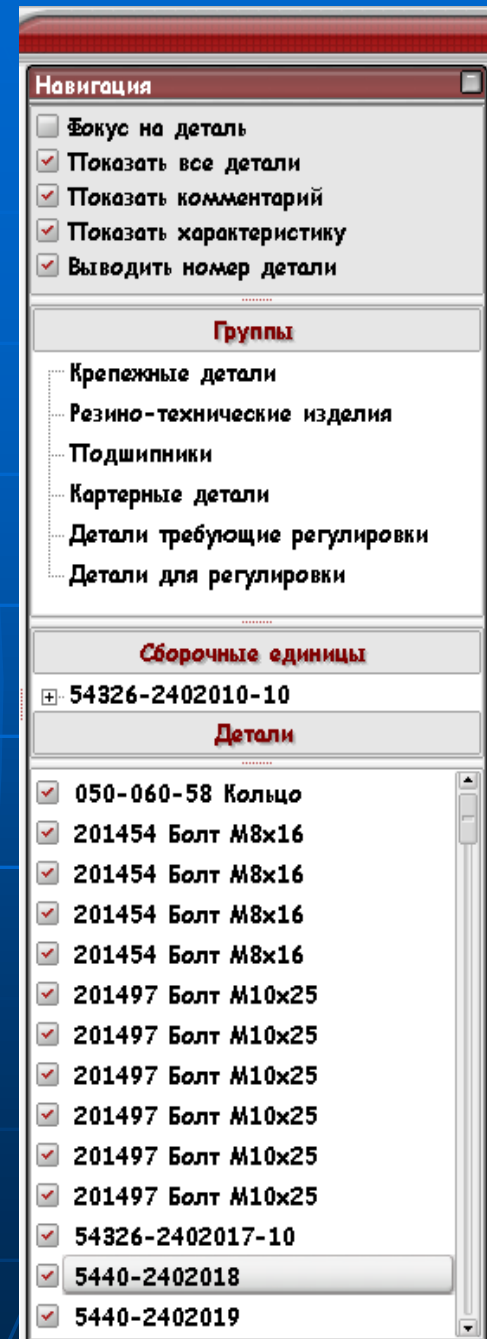
Assembly units.

Displays the assembly units of this node with the possibility of revealing its contents Details.

Part numbers with their names are displayed.

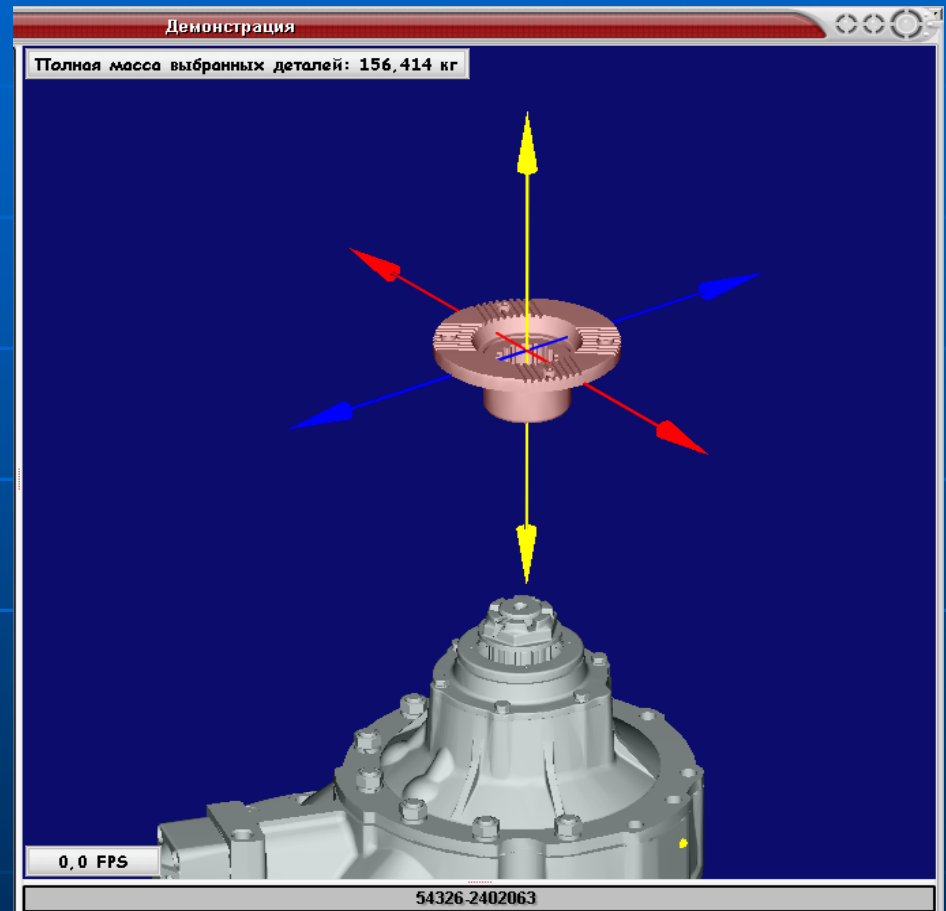
Part numbers for six-digit numbers are selected by number, for seven-digit numbers - by model number and then by group and subgroup.

A bird to the left of the number allows you to show and hide the selected part.



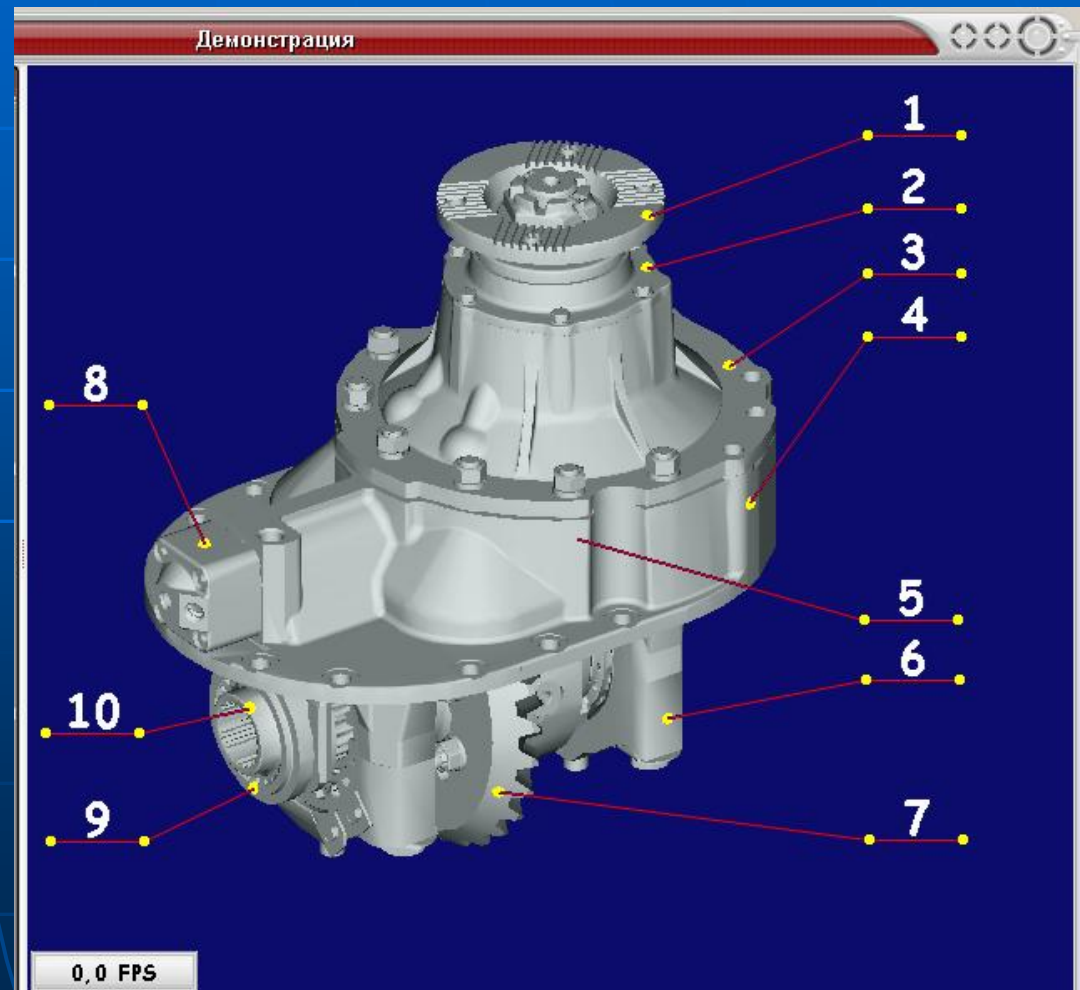
“Explosion”

Allows you to move selected parts along the axes to reveal construction joints. It is mainly used when creating “paper” catalogs.



“Paper” catalog

The options for creating callouts allow you to form the pages of a classic “paper” catalog



Other means of electronic three-dimensional catalog

The catalog provides the ability to simulate work movements, which is necessary for understanding the operation of the unit, training, creating presentation films, etc.

User-friendly interface tools allow you to customize the screen in accordance with the usual or necessary color schemes for the user. When adapting the program for each enterprise, there is the possibility of refinement according to additional requirements.